

# 120PS

120PS power supplies are safety extra-low voltage power supplies designed mainly for electrical security systems. They are designed to work with lead-acid batteries, which are integrated as back-up power supply with many functions.

If there is line voltage, the power supply covers the supply of security system and also keeps a back-up accumulator fully charged. In output of power supply is voltage 12V (24). There shine LED ON BAT, U BAT 11V, ON POWER. Signal contacts ON BAT, U BAT 11V, ON POWER are switched on.

In case of line voltage failure, on output terminals of a network keeps the voltage 12V (24V) with linear stabilizer from back-up accumulator. This status is signalized with turn off LED diodes and turn on the ON POWER. Depending on the voltage drop on the accumulator, the output voltage declines gradually.



If the voltage failure is long time, the voltage on accumulator declines gradually. The decline under 11V (22 V) value with turn off LED diodes and turn on the U BAT 11V. If the voltage failure lasts further and there is danger of damage the accumulator with deep discharge, the accumulator is disconnected and the security system is not powered.

The accumulator is disconnected when the voltage is under 10,5V (21V). This status is signalized with turn off LED diodes and turn on the ON BAT.

After restoring the line voltage, the power supply takes over the supply and the back-up accumulator is connected to mains supply. The maximum accumulator charging is set via DIP switches. Its values are 4A, 3A, 2A, 1A (2A, 1,5A, 1A, 0,5A). When the voltage at the accumulator's clips adjusts 13, 8 V (27, 6 V), the accumulator is also charged with constant voltage.

The power supply constantly tests the connection of accumulator. In case that accumulator is disconnected from the connector BAT or if the current fuse, which protects the accumulator against short circuit, is disconnected, this status is signalized with turn off the LED diodes and turns on contact ON BAT, maximum till 10 seconds from the occurrence of the fault.

Closure of clips POWER OFF, the power supply is electronically turned off and system is supply from back-up accumulator. This controlled status is used to test of back-up accumulator. The backup time is to assess the need for its replacement.

Function	.00	.01	.02	.10	.11	.12
charge rate set up of the accumulator	yes	yes	yes	yes	yes	yes
protection the accumulator from deep discharge	yes	yes	yes	yes	yes	yes
signalization of disconnection or accumulator failure with optical LED diode	yes	yes	yes	yes	yes	yes
signalization of disconnection or accumulator failure with unpotential contact	yes	yes	yes	yes	yes	yes
signalization of drop in voltage on output and accumulator with optical LED diode	yes	yes	yes	yes	yes	yes
signalization of drop in voltage on output and accumulator with unpotential contact	yes	yes	yes	yes	yes	yes
signalization of power supply activity with optical LED diode	yes	yes	yes	yes	yes	yes
signalization of power supply activity with unpotential contact	yes	yes	yes	yes	yes	yes
signalization of activation temperature protection with optical LED diode	yes	yes	yes	yes	yes	yes
turn of the power supply without disconnection of the power supply output voltage	yes	yes	yes	yes	yes	yes
set up the power supply output voltage 12V to 13V (24V to 26V)	---	yes	---	---	yes	yes
temperature control of the charging voltage on the accumulator	---	yes	---	---	yes	yes
acoustic signalization of fault condition	---	---	yes	---	---	yes
Monitoring through LAN: output voltage from POWER SUPPLY / ACCUMULATOR	---	---	---	yes	yes	yes
Monitoring through LAN: voltage at the output under 11V (22V)	---	---	---	yes	yes	yes
Monitoring through LAN: accumulator CONNECTED / NOT CONNECTED	---	---	---	yes	yes	yes

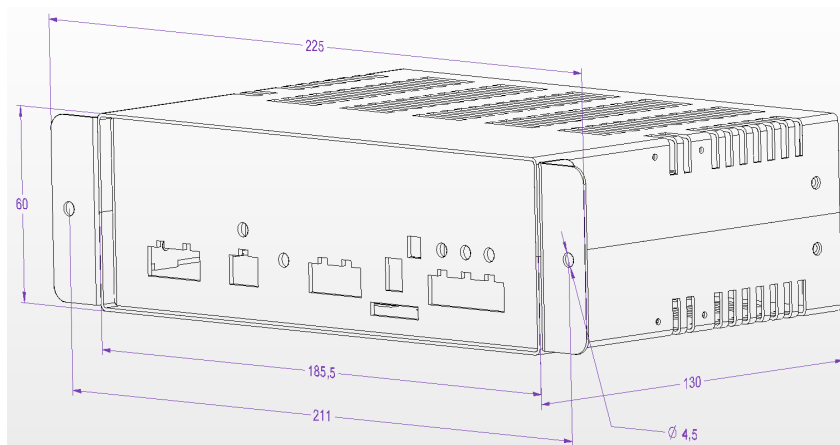
## Technical data:

	12 V	24 V
Supply voltage	195 V to 255 V / 50 Hz	
Maximum input	180 VA	
Rated output voltage	12 V	24 V
Output voltage fluctuation at supply from network 230V/50Hz	1 %	
Output voltage fluctuation at supply from backup accumulator	10,5 V to 12 V	21 V to 24 V
Noise output	max 60 mV šš	
Operating temperature environment	-5 °C to +40 °C	
Thermal overheating protection	electronic	
Protection against short circuit on output and reverse polarity of the accumulator	current fuse	
Protection against overvoltage on output	electronic	
Charging current (depend on set up DIP switches)	4A, 3A, 2A, 1A	2A, 1,5A, 1A, 0,5A
Products are designed in accordance with the standards	EN 60950:2002 EN 61000-6-3:2003 EN 61000-6-2:2003	

## Method of marking:

	<b>120PS</b>	<b>120</b>	<b>/</b>	<b>10</b>	<b>.</b>	<b>00</b>	
type	120PS					01	
output voltage 12 V	120					02	
output voltage 12,5 V	125		10			03	deviation from the standard
output voltage 24 V	240		5				output current 5 A

## Measurements:



## Manufacturer



**S Power product s.r.o.**

www.spower-prod.sk  
spower@spower-prod.sk

Tel. +421 2 4445 8319  
Fax +421 2 4445 7882

Odborárska 52, P.O.BOX 24  
830 03 Bratislava  
Slovakia

Versions .10, .11, .12 can be monitored the state of the power supply by network ETHERNET. In this case the power supply is equipped with drawer RJ45 Ethernet 10BASE-T or 100BASE-TX with automatic speed identification.

Compatibility : Ethernet Version 2.0/IEEE 802.3

Setting : Built-in configuration WEB server or by utility under OS: WIN.

Communication is realized with a simple binary protocol on port 0x77F0 through UDP/IP and TCT/IP.

Basic measurements of the power supply are 185 x 130 x 60 mm. Measurements with fastening angles are on the picture. If necessary, the power supply can be fastened to the box, where is place also for backup accumulator. The box have to be ordered separately.